

Specification Sheet

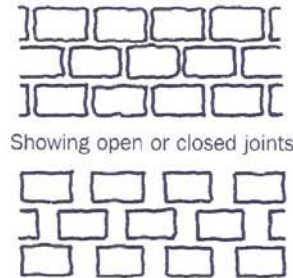
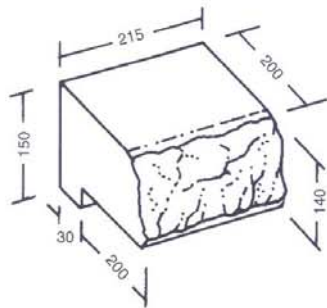
No.WB200

Product: Terracing and Walling Block

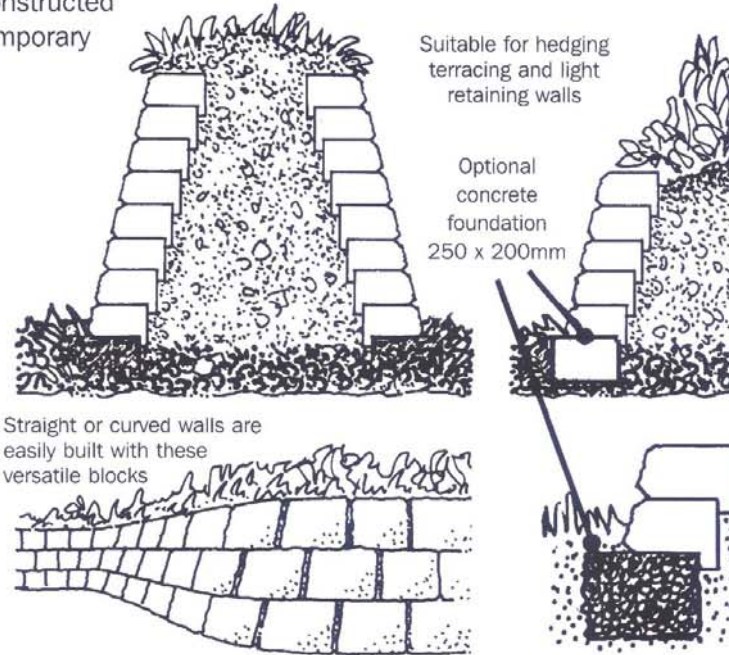
The labour saving product for terracing and hedge building. Just place the first course on the base material or foundation then simply place the remaining self-locating blocks to build a perfect hedge or wall. Correct levels and slope are achieved automatically. The wall can be open-jointed if required for drainage or to accept plants. Being dry-laid (no mortar), the wall can be taken down, altered or re-constructed as desired. This versatile block is also useful for temporary structures, e.g.compost storage etc.

SIZE: 140 x 215 x 200/230mm (see drawing below)

COLOURS: Natural Grey, Red, Buff, Yellow, Charcoal



Showing open or closed joints



Western Blocks Limited

Upton Towans, Loggans, Hayle, Cornwall TR27 5BL Tel: Hayle (01736) 753128 Fax: (01736) 756857